

industrial valves

Oil & Gas
ball valves

OIL & GAS
GM Type

2-WAY HIGH PRESSURE BALL VALVES

CARBON STEEL

- Type: ball valve GM 2way
- Body: round
- Ball seats: from DN6 up to DN100
- Operating pressure: 50 Bar to 500 Bar S800 to S3000 PN depending on valve size and seal materials selected
- Temp range: -46°C to +250°C depending on seal material selected

STAINLESS STEEL

- Type: ball valve GM 2way
- Body: round
- Ball seats: from DN6 up to DN100
- Operating pressure: 50 Bar to 500 Bar S800 to S3000 PN depending on valve size and seal materials selected
- Temp range: -30°C to +100°C depending on seal material selected

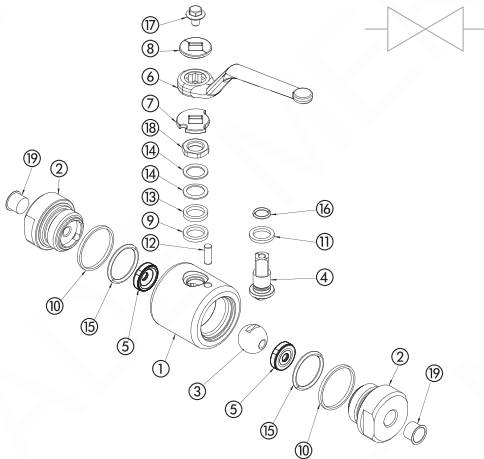


industrial valves

Oil & Gas
ball valves

Edition
19.1

OIL & GAS
GM



CARBON STEEL

POS	DESCRIPTION	MATERIAL	Q.TY
1	Body	1,0570	1
2	Adapter	1,0570	2
3	Ball	1,4404	1
4	Stem	1,4404	1
5	Ball Seat	PTFE	2
6	Handle	1,0116	1
7	Washer	1,4301	1
8	Washer	1,4301	1
9	Body ring	GRAPHITE	1
10	Adapter ring	GRAPHITE	2
11	Stem ring	PTFE	2
12	Spine	1,4301	1
13	Press ring	1,4301	1
14	Spring	1,4301	2
15	Adapter o-ring	NBR	2
16	Stem o-ring	NBR	1
17	Screw	DIN6921 A2	1
18	Nut	1,4301	1
19	Caps	PVC	2

CARBON STEEL

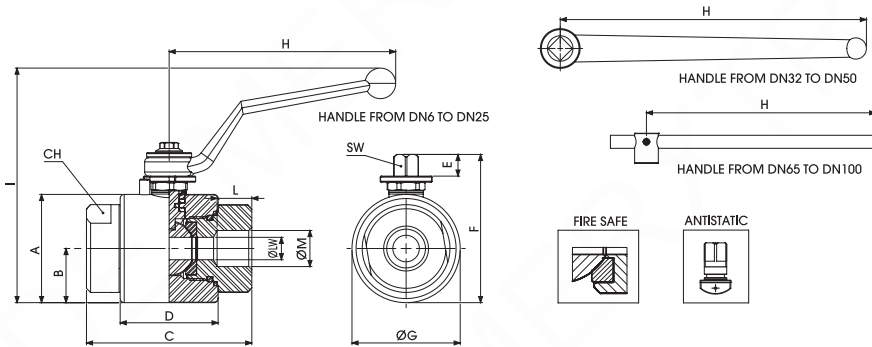
GM		G1½			DN13	LF2	316L	POM	B	
TYPE AND WAY OF VALVE	GAS DIN/ ISO 228 BSP	NPT ANSI/ ASME B1.20.1	SW	SW EXTRALONG	PE	NOMINAL DIMENSION	BODY AND ADAPTER MATERIAL	STEM AND BALL MATERIAL	BALL SEAT MATERIAL	ADAPTER AND STEM SEAL MATERIAL
GM 2-way	G ¼	N ¼	SW ¼	SWXT ¼	PE ¼	DN6	LF2 1,0570	316L	A POM	B NBR
	G ¾	N ¾	SW ¾	SWXT ¾	PE ¾	DN10		1,4404	D PEEK*	E FKM*
	G ½	N ½	SW ½	SWXT ½	PE ½	DN13			C PTFE*	F EPDM*
	G ¾	N ¾	SW ¾	SWXT ¾	PE ¾	DN20				L MVQ*
	G 1	N 1	SW 1	SWXT 1	PE 1	DN25				
	G 1 ¼	N 1 ¼	SW 1 ¼	SWXT 1 ¼	PE 1 ¼	DN32				
	G 1 ½	N 1 ½	SW 1 ½	SWXT 1 ½	PE 1 ½	DN40				
	G 2	N 2	SW 2	SWXT 2	PE 2	DN50				
	G 2 ½	N 2 ½	SW 2 ½			DN65				
	G 3	N 3	SW 3			DN80				
	G 4	N 4	SW 4			DN100				

STAINLESS STEEL

POS	DESCRIPTION	MATERIAL	Q.TY
1	Body	1,4404	1
2	Adapter	1,4404	2
3	Ball	1,4404	1
4	Stem	1,4404	1
5	Ball Seat	PTFE	2
6	Handle	1,0116	1
7	Washer	1,4301	1
8	Washer	1,4301	1
9	Body ring	GRAPHITE	1
10	Adapter ring	GRAPHITE	2
11	Stem ring	PTFE	2
12	Spine	1,4301	1
13	Press ring	1,4301	1
14	Spring	1,4301	2
15	Adapter o-ring	NBR	2
16	Stem o-ring	NBR	1
17	Screw	DIN6921 A2	1
18	Nut	1,4301	1
19	Caps	PVC	2

STAINLESS STEEL

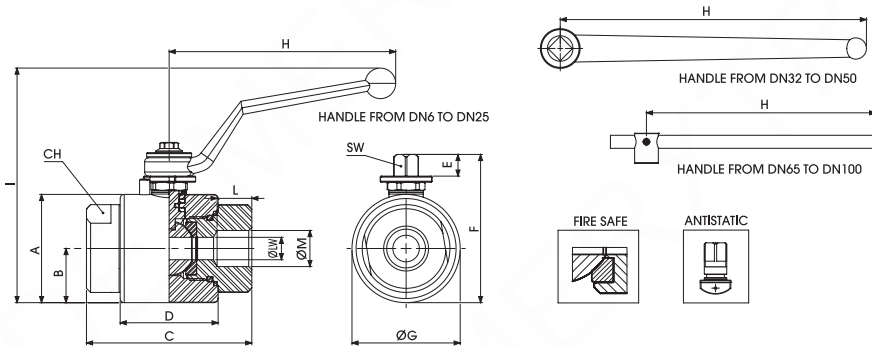
GM		G1½			DN13	316L	316L	POM	B	
TYPE AND WAY OF VALVE	GAS DIN/ ISO 228 BSP	NPT ANSI/ ASME B1.20.1	SW	SW EXTRALONG	PE	NOMINAL DIMENSION	BODY AND ADAPTER MATERIAL	STEM AND BALL MATERIAL	BALL SEAT MATERIAL	ADAPTER AND STEM SEAL MATERIAL
GM 2-way	G ¼	N ¼	SW ¼	SWXT ¼	PE ¼	DN6	316L	316L	A POM	B NBR
	G ¾	N ¾	SW ¾	SWXT ¾	PE ¾	DN10	1,4404	1,4404	D PEEK*	E FKM*
	G ½	N ½	SW ½	SWXT ½	PE ½	DN13			C PTFE*	F EPDM*
	G ¾	N ¾	SW ¾	SWXT ¾	PE ¾	DN20				L MVQ*
	G 1	N 1	SW 1	SWXT 1	PE 1	DN25				
	G 1 ¼	N 1 ¼	SW 1 ¼	SWXT 1 ¼	PE 1 ¼	DN32				
	G 1 ½	N 1 ½	SW 1 ½	SWXT 1 ½	PE 1 ½	DN40				
	G 2	N 2	SW 2	SWXT 2	PE 2	DN50				
	G 2 ½	N 2 ½	SW 2 ½			DN65				
	G 3	N 3	SW 3			DN80				
	G 4	N 4	SW 4			DN100				



DIN/ISO 228 BSPP

Standard

TYPE	DN	A	B	C	D	E	F	ØG	H	I	L	ØM	CH	SW	ØLW	KG
G 1/4	6	-	23,5	72	44	10,5	66,5	47	110	109	15,5	G 1/4	32	9	6	0,869
G 3/8	10	-	23,5	72	44	10,5	66,5	47	110	109	15,5	G 3/8	32	9	10	0,844
G 1/2	13	-	26,5	81	48	10,5	72,5	53	110	115	17	G 1/2	38	9	13	1,151
G 3/4	20	-	31,5	98	62	14	90	63	200	125	21	G 3/4	48	14	20	2,109
G 1	25	-	36,5	106	66	14	99	73	200	133	24	G 1	55	14	25	2,872
G 1 1/4	32	-	42	127	83	14	111	84	300	120,5	25	G 1 1/4	65	17	32	4,557
G 1 1/2	40	-	49,5	135	89	14	126	99	300	126	25	G 1 1/2	80	17	40	6,482
G 2	50	-	56	160	101	14	132	104	300	140,5	27	G 2	90	17	50	7,966
G 2 1/2	65	140	70	174	105	23,5	176,5	150	600	226	32	G 2 1/2	110	19	65	17,506
G 3	80	155	77,5	191,5	114	23,5	191	167	600	241	32	G 3	125	19	80	22,896
G 4	100	188	94	230	148	31	231,5	200	600	278,5	40	G 4	150	19	100	36,999



ANSI/ASME B1.20.1 NPT

Standard

TYPE	DN	A	B	C	D	E	F	ØG	H	I	L	ØM	CH	SW	ØLW	KG
N 1/4	6	-	23,5	72	44	10,5	66,5	47	110	109	17	N 1/4	32	9	6	0,869
N 3/8	10	-	23,5	72	44	10,5	66,5	47	110	109	17	N 3/8	32	9	10	0,844
N 1/2	13	-	26,5	81	48	10,5	72,5	53	110	115	21	N 1/2	38	9	13	1,151
N 3/4	20	-	31,5	98	62	14	90	63	200	125	21	N 3/4	48	14	20	2,109
N 1	25	-	36,5	106	66	14	99	73	200	133	24	N 1	55	14	25	2,872
N 1 1/4	32	-	42	127	83	14	111	84	300	120,5	25	N 1 1/4	65	17	32	4,557
N 1 1/2	40	-	49,5	135	89	14	126	99	300	126	25	N 1 1/2	80	17	40	6,482
N 2	50	-	56	160	101	14	132	104	300	140,5	27	N 2	90	17	50	7,966
N 2 1/2	65	140	70	174	105	23,5	176,5	150	600	226	32	N 2 1/2	110	19	65	17,506
N 3	80	155	77,5	191,5	114	23,5	191	167	600	241	32	N 3	125	19	80	22,896
N 4	100	188	94	230	148	31	231,5	200	600	278,5	40	N 4	150	19	100	36,999